

# DIN-Rail EMC/RFI Filter with Minimum Leakage Current



- Compact state-of-the-art filter concept
- Light weight plastic enclosure design
- Minimized filter leakage current
- Hinged safety covers
- Revolutionary embedded filter terminals
- Chassis or DIN-rail mounting option
- Selectable performance level
- Environmental friendly design without potting compound

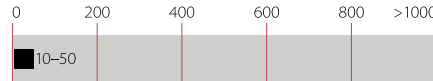


### Performance indicators

Attenuation performance



Rated current [A]



### Approvals & Compliances



Design protected by European patent (EP 1727280)

### Features and benefits

- Two different mounting versions: FN 3025 for chassis mounting and FN3026 for DIN rail mounting
- Two different performance levels (L types, P types)
- A plastic housing and a metal ground plate are cleverly combined to get the lowest possible product weight without compromising EMC behavior
- The embedded jump-terminal system from Schaffner guarantees user-friendly handling as well as fast and reliable electrical connection
- Captive hinged protective covers contribute to overall safety by offering protection against unintended contact with live conductors. They are included in the standard delivery package without causing extra cost
- Very low leakage current values make these filter ranges ideally suitable for use in Japanese electricity networks as well as in applications which set value on safety and reliability

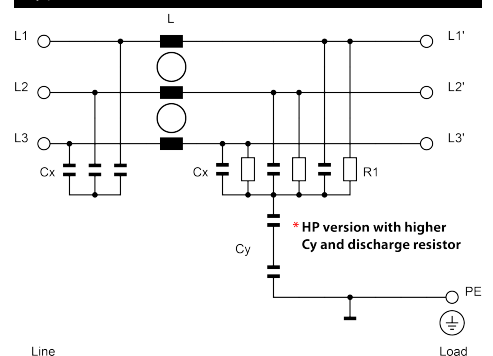
## Technical specifications

<b>Maximum continuous operating voltage</b>	3x 520/300 VAC
<b>Operating frequency</b>	DC to 60 Hz
<b>Rated currents</b>	10 to 50 A @ 50°C
<b>High potential test voltage</b>	P → E 2000 VAC for 2 sec (HL types) P → E 3000 VDC for 2 sec (HP types) P → P 2250 VDC for 2 sec
<b>Protection category</b>	IP 00 (protection according to VBG 4)
<b>Overload capability</b>	4x rated current at switch on, 1.5x rated current for 1 minute, once per hour
<b>Temperature range (operation and storage)</b>	-25°C to +100°C (25/100/21)
<b>Flammability corresponding to</b>	UL 94 V-2 or better
<b>Design corresponding to</b>	UL 1283, CSA 22.2 No. 8 1986, IEC/EN 60939
<b>MTBF @ 50°C/400 V (Mil-HB-217F)</b>	>200,000 hours

## Typical applications

- Applications with the requirement for extremely compact filter solutions
- Applications with tough leakage current requirements or sensitive earth leakage detectors
- Applications with insufficient internal filtering or moderate interference levels
- Automation equipment
- Motor drives and servo drives with short motor cables
- Applications including stepping motors
- Semiconductor manufacturing equipment
- Three-phase power supplies
- Medical equipment (not patient-coupled)

### Typical electrical schematic of HL version



### Filter selection table

Filter	Rated current @ 50°C (40°C)	Typical drive power rating*	Leakage current** @ 520 VAC/50 Hz	Power loss @ 25°C/50 Hz	Input/Output connections 	Weight [kg]
	[A]	[kW]	[mA]	[W]		
FN 3025 HL-10-71	10 (10.7)	5.5	0.1	4.8	-71	0.52
FN 3025 HL-20-71	20 (21.4)	11	0.1	6.2	-71	0.52
FN 3025 HL-30-71	30 (32.1)	18.5	0.1	7.0	-71	0.54
FN 3025 HL-40-71	40 (43.8)	25	0.1	8.5	-71	0.63
FN 3025 HL-50-72	50 (53.5)	30	0.1	10.5	-72	0.93
FN 3025 HP-10-71	10 (10.7)	5.5	0.4	4.8	-71	0.52
FN 3025 HP-20-71	20 (21.4)	11	0.4	6.2	-71	0.52
FN 3025 HP-30-71	30 (32.1)	18.5	0.4	7.0	-71	0.54
FN 3025 HP-40-71	40 (43.8)	25	0.4	8.5	-71	0.63
FN 3025 HP-50-72	50 (53.5)	30	0.4	10.5	-72	0.93
FN 3026 HL-10-71	10 (10.7)	5.5	0.1	4.8	-71	0.56
FN 3026 HL-20-71	20 (21.4)	11	0.1	6.2	-71	0.56
FN 3026 HL-30-71	30 (32.1)	18.5	0.1	7.0	-71	0.58
FN 3026 HL-40-71	40 (43.8)	25	0.1	8.5	-71	0.74
FN 3026 HL-50-72	50 (53.5)	30	0.1	10.5	-72	0.98
FN 3026 HP-10-71	10 (10.7)	5.5	0.4	4.8	-71	0.56
FN 3026 HP-20-71	20 (21.4)	11	0.4	6.2	-71	0.56
FN 3026 HP-30-71	30 (32.1)	18.5	0.4	7.0	-71	0.58
FN 3026 HP-40-71	40 (43.8)	25	0.4	8.5	-71	0.74
FN 3026 HP-50-72	50 (53.5)	30	0.4	10.5	-72	0.98

\* Calculated at rated current, 480 VAC and cos phi=0.8. The exact value depends upon the efficiency of the drive, the motor and the entire application.

\*\* Standardized calculated leakage current acc. IEC60939 under normal operating conditions.

### Typical filter attenuation

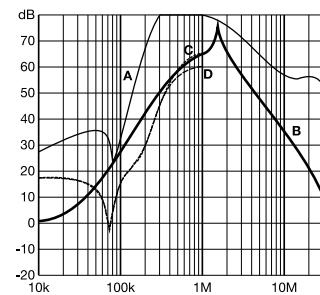
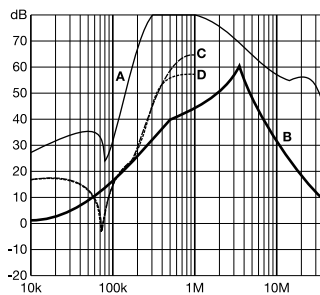
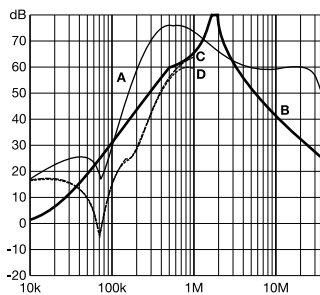
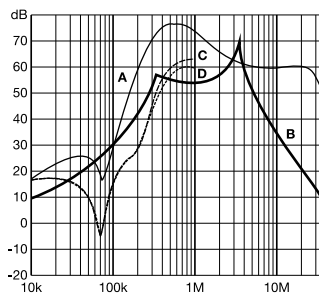
Per CISPR 17; A=50 Ω/50 Ω sym; B=50 Ω/50 Ω asym; C=0.1 Ω/100 Ω sym; D=100 Ω/0.1 Ω sym

10 and 20 A HL types

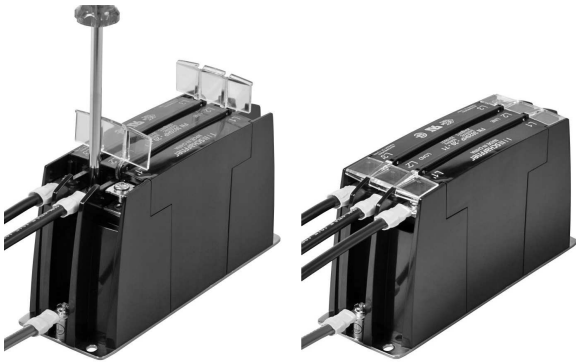
10 and 20 A HP types

30 to 50 A HL types

30 to 50 A HP types



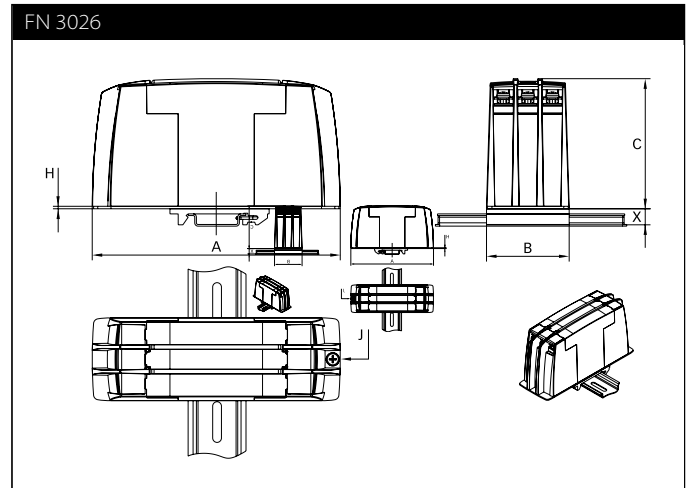
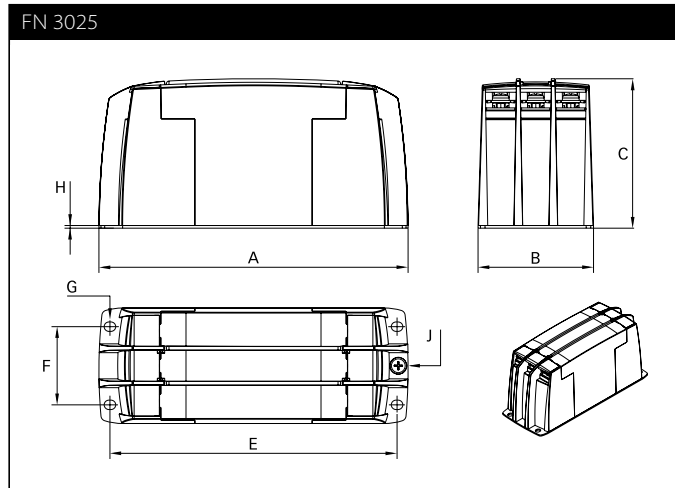
## Installation



FN 3025/FN 3026 are delivered with closed plastic covers and unfastened terminals. To install the filter please proceed as follows:

- Mount the filter on a metal surface with four screws or snap it onto a TS 35 DIN- rail.
- First connect the green/yellow wire to the earth stud of the filter.
- Gently lift the two hinged plastic covers.
- Connect phase wires with cable lugs by pushing down and tightening the screws.
- Please note the torque recommendation on top of the filter.
- Push the covers back into their locked position to finish the filter installation.

## Mechanical data







## Dimensions

50

	FN 3025					FN 3026				
	10 A	20 A	30 A	40 A	50 A	10 A	20 A	30 A	40 A	50 A
<b>A</b>	150	150	150	150	177	150	150	150	150	177
<b>B</b>	50	50	50	50	65	50	50	50	50	65
<b>C</b>	78	78	78	78	84	78	78	78	78	84
<b>E</b>	140	140	140	140	162					
<b>F</b>	32	32	32	32	44					
<b>G</b>	4.3 x 5.5	4.3 x 5.5	4.3 x 5.5	4.3 x 5.5	5.3 x 6.5					
<b>H</b>	1.5	1.5	1.5	1.5	1.5	1.5	1.5	1.5	1.5	1.5
<b>J</b>	M4	M4	M4	M4	M5	M4	M4	M4	M4	M5
<b>X</b>						9.7	9.7	9.7	9.7	9.7

All dimensions in mm; 1 inch = 25.4 mm  
Tolerances according: ISO 2768-m/EN 22768-m

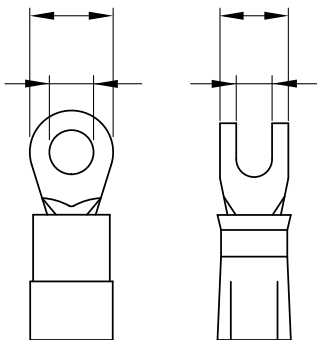
## Filter input/output connector cross sections

	-71 (10 A)	-71 (20 A)	-71 (30 A and 40 A)	-72 (50 A)
				
<b>Flex wire</b>	1.3-2.5 mm <sup>2</sup>	4-6 mm <sup>2</sup>	8-10 mm <sup>2</sup>	16-20 mm <sup>2</sup>
<b>AWG type wire</b>	AWG 16-AWG 13	AWG 12-AWG 10	AWG 8-AWG 7	AWG 5-AWG 4
<b>Ring/fork lug (W/d)*</b>	max. 11 mm (9.5 mm)/ min. Ø4.3 mm**	max. 11 mm (9.5 mm)/ min. Ø4.3 mm**	max. 11 mm (9.5 mm)/ min. Ø4.3 mm**	max. 16.5 mm (15 mm)/ min. Ø5.3 mm**
<b>Recommended torque</b>	1.0-1.2 Nm	1.0-1.2 Nm	1.0-1.2 Nm	1.9-2.2 Nm

\* Schaffner recommends the use of insulated and UL-recognized ring lugs or fork lugs of the appropriate size.

\*\* Specification in ( ) relates to earth connector.

Please visit [www.schaffner.com](http://www.schaffner.com) to find more details on filter connectors.





## Headquarters, global innovation and development

### Switzerland

#### Schaffner Group

Industrie Nord  
Nordstrasse 11e  
4542 Luterbach  
T +41 32 681 66 26  
[info@schaffner.com](mailto:info@schaffner.com)



## Sales and application centers

### China

#### Schaffner EMC Ltd. Shanghai

T20-3 C, No 565 Chuangye Road,  
Pudong district  
201201 Shanghai  
T +86 21 3813 9500  
[cschina@schaffner.com](mailto:cschina@schaffner.com)  
[www.schaffner.com.cn](http://www.schaffner.com.cn)

### Finland

#### Schaffner Oy

Sauvonrinne 19 H  
08500 Lohja  
T +358 10 567 2855  
[finlandsales@schaffner.com](mailto:finlandsales@schaffner.com)

### France

#### Schaffner EMC S.A.S.

16-20 Rue Louis Rameau  
95875 Bezons  
T +33 1 34 34 30 60  
F +33 1 39 47 02 28  
[francesales@schaffner.com](mailto:francesales@schaffner.com)

### Germany

#### Schaffner Deutschland GmbH

Schoemperlenstrasse 12B  
76185 Karlsruhe  
T +49 721 56910  
F +49 721 569110  
[germanysales@schaffner.com](mailto:germanysales@schaffner.com)

### India

#### Schaffner India Pvt. Ltd

REGUS WORLD TRADE CENTRE  
WTC, 22nd Floor Unit No 2238, Brigade  
Gateway Campus, 26/1, Dr. Rajkumar Road  
Malleshwaram (W)  
560055 Bangalore  
T +91 80 67935355  
[indiasales@schaffner.com](mailto:indiasales@schaffner.com)

### Italy

#### Schaffner EMC S.r.l.

Via Ticino, 30  
20900 Monza (MB)  
T +39 039 21 41 070  
[italysales@schaffner.com](mailto:italysales@schaffner.com)

### Japan

#### Schaffner EMC K.K.

Taiju-Seimei Sangenjaya Bldg.  
1-32-12, Kamiuma, Setagaya-ku  
154-0011 Tokyo  
T +81 3 5712 3650  
F +81 3 5712 3651  
[japansales@schaffner.com](mailto:japansales@schaffner.com)  
[www.schaffner.jp](http://www.schaffner.jp)

### Singapore

#### Schaffner EMC Pte Ltd.

#05-09, Kg Ubi Ind. Estate  
408705 Singapore  
T +65 6377 3283  
F +65 6377 3281  
[singaporesales@schaffner.com](mailto:singaporesales@schaffner.com)

### Spain

#### Schaffner EMC España

Calle Caléndula 93, Miniparc III, Edificio E  
El Soto de Moraleja, Alcobendas  
28109 Madrid  
T +34 917 912 900  
F +34 917 912 901  
[spainsales@schaffner.com](mailto:spainsales@schaffner.com)

### Sweden

#### Schaffner EMC AB

Östermalmstorg 1  
114 42 Stockholm  
T +46 8 5050 2425  
[swedensales@schaffner.com](mailto:swedensales@schaffner.com)  
[www.schaffner.com](http://www.schaffner.com)

### Switzerland

#### Schaffner EMV AG

Industrie Nord  
Nordstrasse 11e  
4542 Luterbach  
T +41 32 681 66 26  
[switzerlandsales@schaffner.com](mailto:switzerlandsales@schaffner.com)

### Taiwan R.O.C.

#### Schaffner EMV Ltd.

20 Floor-2, No 97, Section 1, XinTai 5th Road  
22175 XiZhi District New Taipei City 22175  
T +886 2 2697 5500  
F +886 2 2697 5533  
[taiwansales@schaffner.com](mailto:taiwansales@schaffner.com)  
[www.schaffner.com.tw](http://www.schaffner.com.tw)

### Thailand

#### Schaffner EMC Co. Ltd.

Northern Region Industrial Estate  
67 Moo 4 Tambon Ban Klang  
Amphur Muangng P.O. Box 14  
51000 Lamphun  
T +66 53 58 11 04  
F +66 53 58 10 19  
[thailandsales@schaffner.com](mailto:thailandsales@schaffner.com)

### United Kingdom

#### Schaffner Ltd.

1, Oakmede Place  
Binfield  
RG42 4JF Berkshire  
T +44 118 9770070  
F +44 118 9792969  
[uksales@schaffner.com](mailto:uksales@schaffner.com)

### USA

#### Schaffner EMC Inc.

52 Mayfield Avenue  
Edison, New Jersey  
T +1 732 225 9533  
F +1 732 225 4789  
[usasales@schaffner.com](mailto:usasales@schaffner.com)  
[www.schaffnerusa.com](http://www.schaffnerusa.com)

#### Schaffner North America

6722 Thirlane Road  
24019 Roanoke, Virginia  
T +1 276 228 7943  
F +1 276 228 7953

#### Schaffner North America

823 Fairview Road  
24382 Wytheville, Virginia  
T +1 276 228 7943  
F +1 276 228 7258

To find your local partner within Schaffner's global network: [www.schaffner.com](http://www.schaffner.com)

© 2018 Schaffner Group

The content of this document has been carefully checked and understood. However, neither Schaffner nor its subsidiaries assume any liability whatsoever for any errors or inaccuracies of this document and the consequences thereof. Published specifications are subject to change without notice. Product suitability for any area of application must ultimately be determined by the customer. In all cases, products must never be operated outside their published specifications. Schaffner does not guarantee the availability of all published products. This disclaimer shall be governed by substantive Swiss law and resulting disputes shall be settled by the courts at the place of business of Schaffner Holding AG. Latest publications and a complete disclaimer can be downloaded from the Schaffner website. All trademarks recognized.